

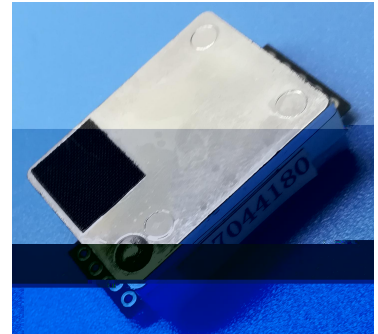


wŵ 3`ò ØQ Aä"~ " 3`ò ðQ

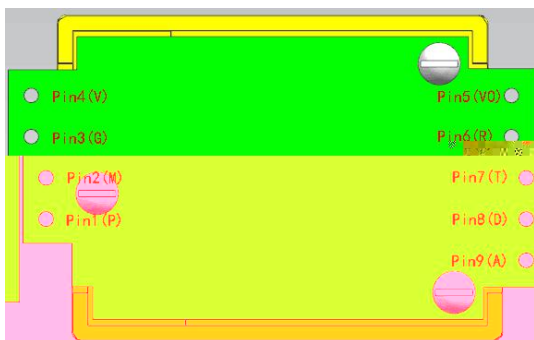
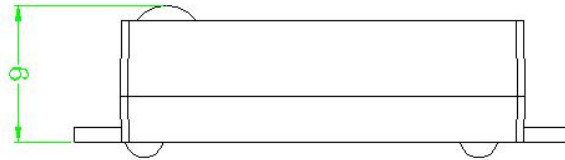
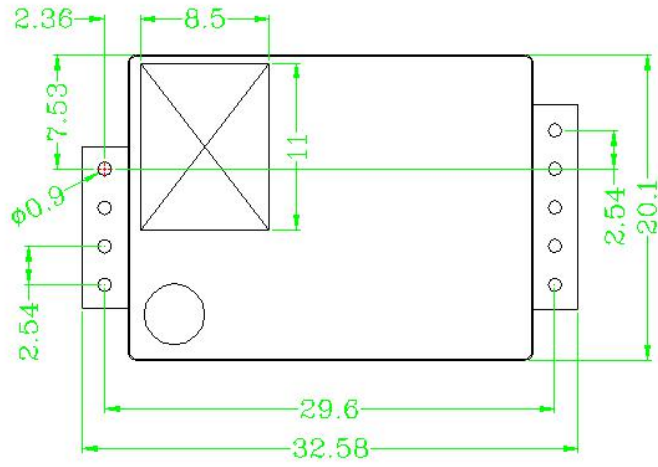
## WS20

WS20  
CO<sub>2</sub>

NDIR



mm



PIN1	(P)
PIN2	(M) 10mA
PIN3	(G)
PIN4	(V)
PIN5	(VO) 10mA
PIN6	(R) 0 3.3V
PIN7	(T) 0 3.3V
PIN8	(D)
PIN9	(A)

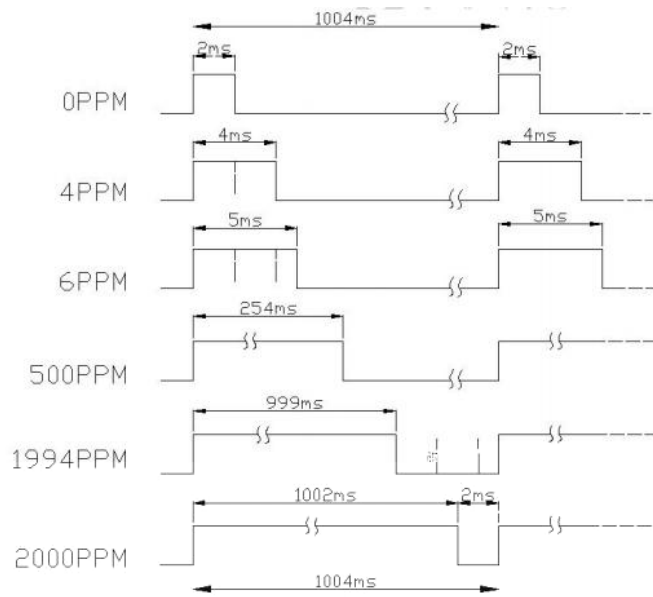
5 PIN9(A) 8 400ppm  
400ppm

1 PWM

$$C_{ppm} = 2000 \times \frac{TH - 2ms}{TH + TL - 4ms}$$

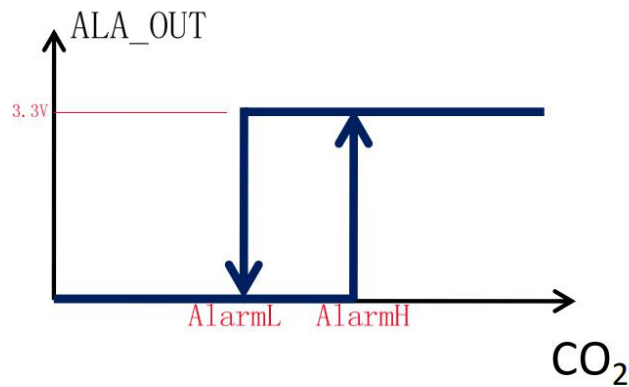
PWM
 $C_{ppm}$ 
CO<sub>2</sub>

TH

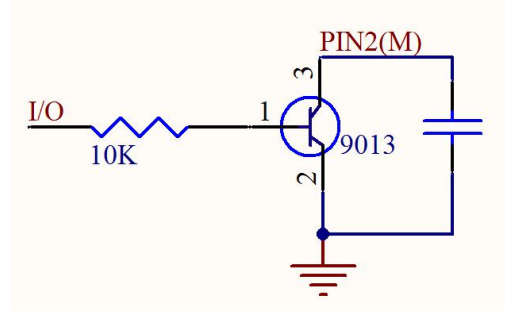
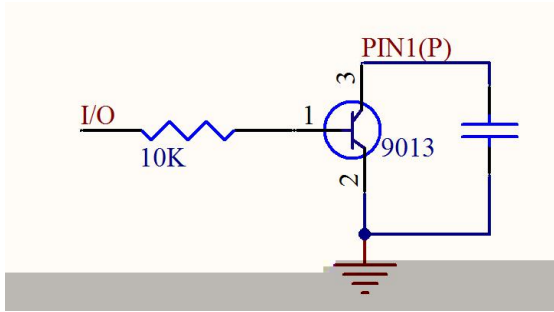


2

AlarmH AlarmL  
AlarmL/AlarmH 800ppm/1000ppm



3 PWM



2014

13

300007

17

7x24

103

B 15A 08

169

6

[www.airradio.cn](http://www.airradio.cn)

0371-67169566 400 169 3033

[sales@airradio.cn](mailto:sales@airradio.cn)

