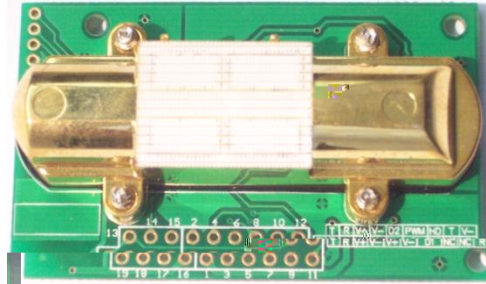


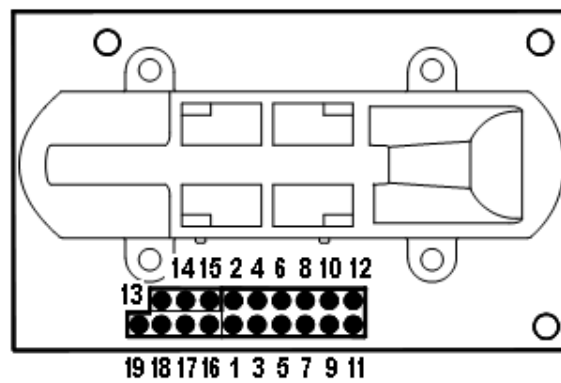
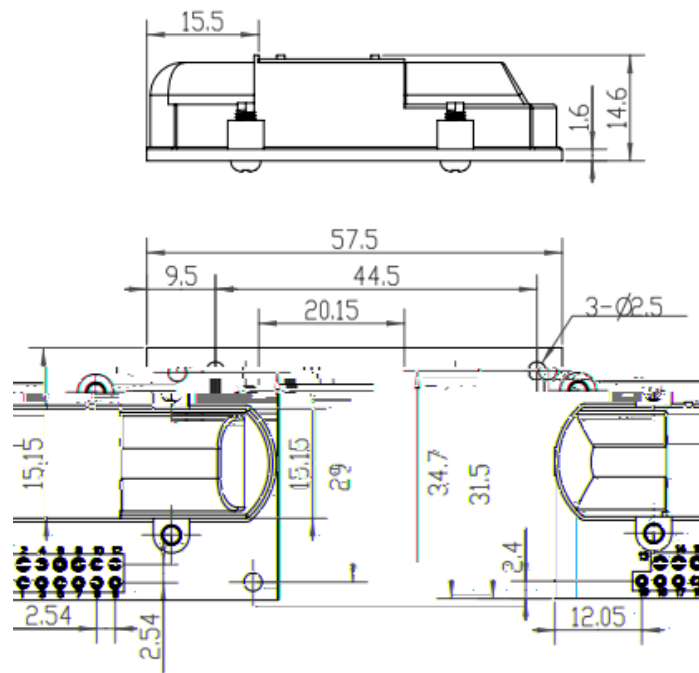


MH-Z14



-
-
-
-
-
-
-
-
-

	! !
	!
	!
	! !



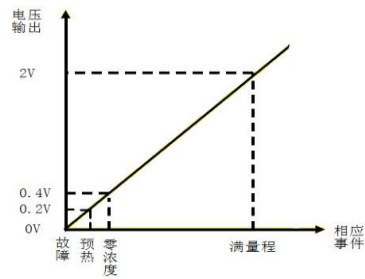
MH-Z14

	!
	!
	!
	!

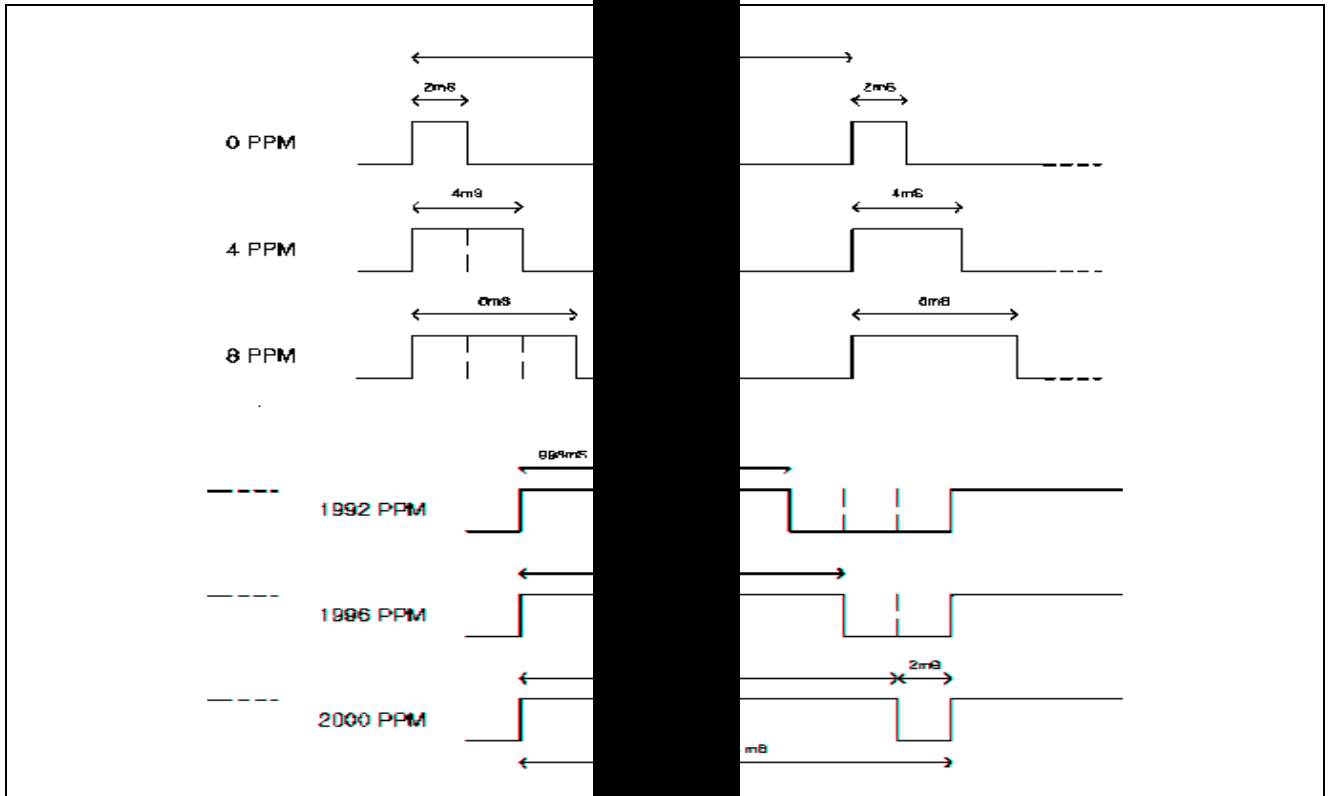
Vout 0.4 2V
 Vin 5V GND
 0.4 2.0V

Vout 0
 ADC
 0

Vout 0V



PWM		
0~2000ppm		
CO ₂		0 2000ppm
		1004ms±5%
		2ms()
		1000ms±5%
		2ms()
PWM	CO ₂	$C_{ppm}=2000 \times (T_H - 2ms) / (T_H + T_L - 4ms)$
C _{ppm}	CO ₂	ppm
T _H		
T _L		



(UART)

RS232 Vin-GND-RXD-TXD GND-TXD-RXD TTL

9600 8 1

0x86-			

0x87-

0x88-

- 1 Byte1 Byte7: $0x01 + 0x86 + 0x00 + 0x00 + 0x00 + 0x00 + 0x00 = 0x87$
- 2 $0xFF - 0x87 = 0x78$
- 1 $0x78 + 0x01 = 0x79$

C

```
char getChecksum(char *packet)
{
    char i, checksum;
    for( i = 1; i < 8; i++)
    {
        checksum += packet[i];
    }
    checksum = 0xff - checksum;
    checksum += 1;
    return checksum;
}
```

400ppm

(400ppm HD (0V) 7)
20

24 400ppm

-
-
-
-
-
-
-

6

4.5V~5.5V DC

150mA

(400ppm) 20

